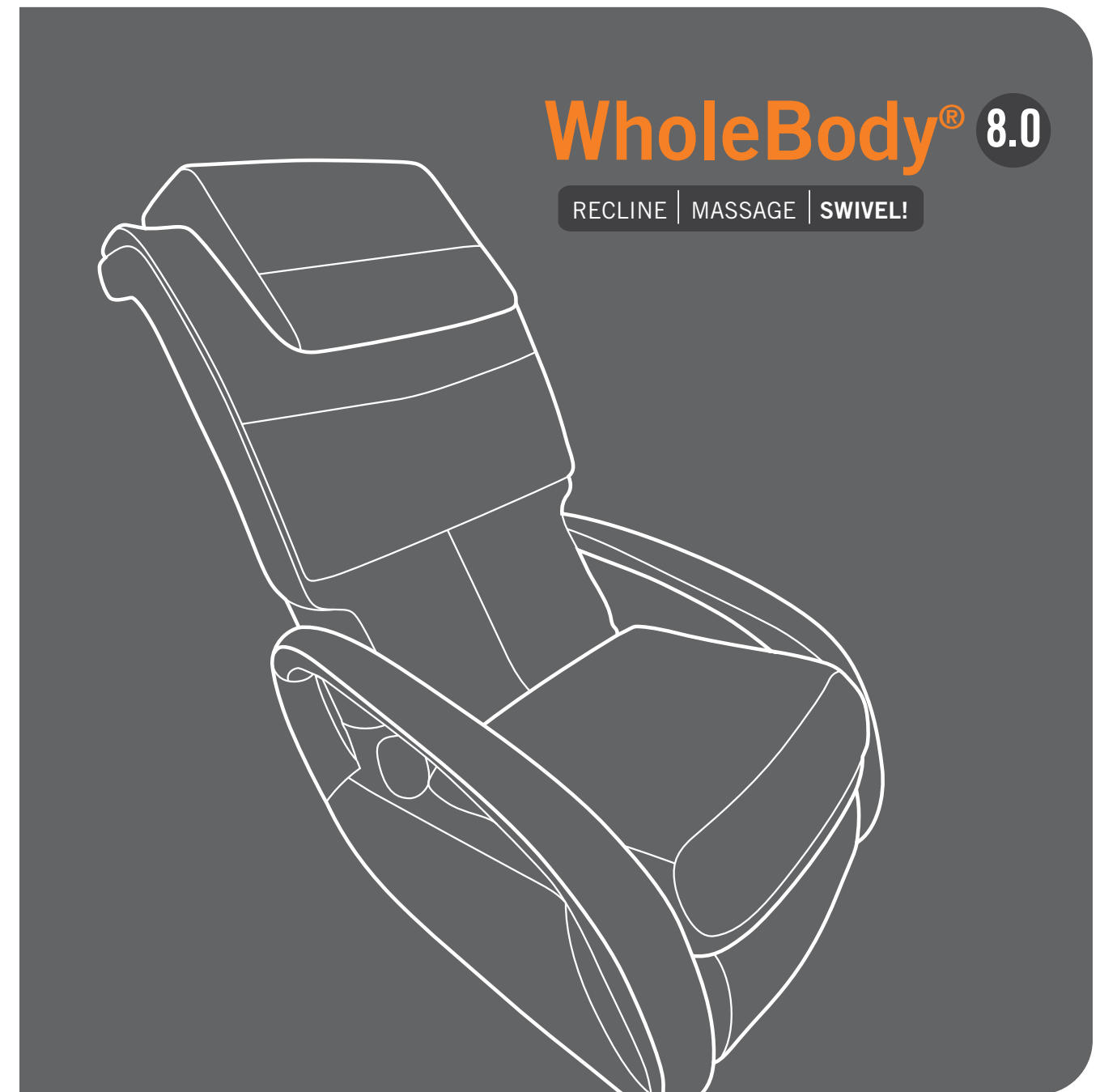




humantouch.com
800.355.2762

©2022 Human Touch®, LLC. Patents pending and intellectual property rights enforced.
No medical claims are warranted or implied by the use of this product.
Human Touch is a trademark of Human Touch®, LLC.
WB80-NA-A0



use & care manual

ENG

use & care manual

FRC

mode d'emploi et d'entretien

Register your product **ONLINE** today

www.humantouch.com/register

Register your product **ONLINE** today

www.humantouch.com/register



For **more than four decades**, Human Touch has established itself as an industry leader that is changing the lives of its customers with products and services that help them **feel, perform, and live their best**. Developed in cooperation with the medical community and industry experts, we deliver products that blend patented technology, craftsmanship and intelligent ergonomics with superior design to enable therapeutic relief for everyone.

Our industry-leading massage chairs, Perfect Chair® recliners and evolving set of innovative solutions share attributes in their ease-of-use, attention to performance and quality, and design to adapt to most any lifestyle. These attributes are highly valued by our customers and garner broad industry award and recognition. As a result, Human Touch empowers people to enjoy greater health and vitality in their professions, pursuits and everyday lives. And with a population increasingly aware of the benefits of wellness, Human Touch extends its brand leadership and available **solutions for the benefit of everyone**.

humantouch.com

Proudly endorsed by:



Register your product at www.humantouch.com to ensure your product is in our system to simplify the warranty process should you ever need it.

WholeBody® 8.0

RECLINE | MASSAGE | SWIVEL!

welcome to **human touch®**

Enjoy the life-changing benefits of a massage every day, keeping your mind and body healthy.

Surrender every muscle in your back, neck, and shoulders to relaxation with the Human Touch WholeBody® 8.0 massage chair. Allow the FlexGlide® 3D orbital massage technology to deliver soothing comfort with a seamless glide. The patented warm air technology provides additional relief of muscle tension, and the revolutionary BodyMap PRO® remote makes it simple to pinpoint exactly where you want to feel better.

Enjoy an impressive selection of features bundled into a modern design. With its unique swivel base and striking wood accents, this extraordinary massage chair is ideal for any living space. The WholeBody 8.0 is the perfect way to revitalize and recover, leaving you feeling your best, every day.

To ensure that you don't overlook any of your chair's features, and that you use it safely, read this manual carefully. Then sit back, relax, and enjoy!

humantouch.com

keep it safe

IMPORTANT SAFETY INSTRUCTIONS

When using an electrical appliance, basic precautions should always be followed, including the following:

Read all instructions before using this appliance.



DANGER: To reduce the risk of electrical shock

Always unplug this product from the electrical outlet immediately after using and before cleaning.



WARNING: To reduce the risk of burns, fire, electric shock or injury to persons:

- Do not put hands or fingers near the massage mechanism or rollers while this product is running. Touching the mechanism can result in injury from the rollers squeezing together.
- If the supply cord is damaged, it must be replaced by the manufacturer or its service agent or a similarly qualified person in order to avoid a hazard.
- An appliance should never be left unattended when plugged in. Unplug from outlet when not in use, and before putting on or taking off parts.
- Do not operate under blanket or pillow. Excessive heating can occur and cause fire, electric shock, or injury to persons.
- Use heated surfaces carefully. May cause serious burns. Do not use over insensive skin areas or in the presence of poor circulation. The unattended use of heat by children or incapacitated persons may be dangerous.
- Close supervision is necessary when this product is used by, on, or near children, invalids, or disabled persons. Keep children away from extended foot support (or other similar parts).
- Use this product only for its intended use as described in this manual. Do not use attachments not recommended by the manufacturer.
- Never operate this product if it has a damaged cord or plug, if it is not working properly, if it has been dropped or damaged, or dropped into water. Return this product to a service center for examination and repair.
- Do not carry this appliance by supply cord or use cord as a handle.
- Always keep the power cord away from heated surfaces.
- Never operate this product with the air openings blocked. Keep the air openings free of lint, hair, and the like.
- Do not use outdoors.
- Do not operate where aerosol (spray) products are being used or where oxygen is being administered.
- To disconnect, turn all controls to the OFF position, then remove plug from outlet.
- Do not massage any area of the body that is swollen, inflamed or covered with skin eruptions.
- Do not use on unexplained calf pain.
- Do not use this product when standing on a damp floor, or when any part of the body is in contact with plumbing or any similar ground.
- Connect this appliance to a properly grounded outlet only. See GROUNDING INSTRUCTIONS.
- Do not use this product if noise above normal sound is heard.
- Do not stand on or in appliance. Use only while seated.
- This appliance is not intended for use by persons (including children) with reduced physical, sensory or mental capabilities, or lack of experience and knowledge, unless they have been given supervision or instruction concerning use of the appliance by a person responsible for their safety. Children should be supervised to ensure that they do not play with the appliance.

Safety Precautions

- Comfortable clothing is recommended while using this product.
- This product was meant to be used in a relaxed position. Never force any body part into the backrest area while the rollers are moving.
- If you feel any abnormal discomfort during the operation of this product, turn off the power immediately and do not use the product. Consult your physician.
- Do not lean on the controller for support.
- Do not pull on the AC cord.
- When using this product after it has been in storage, check to see that the product is operating properly prior to use.
- Always confirm that there are no obstacles behind the product and that there is sufficient space to recline.

SAVE THESE INSTRUCTIONS

Do not attempt to repair this product yourself.

This product is designed for personal in-home use. Commercial use will void warranty.

Grounding Instructions:

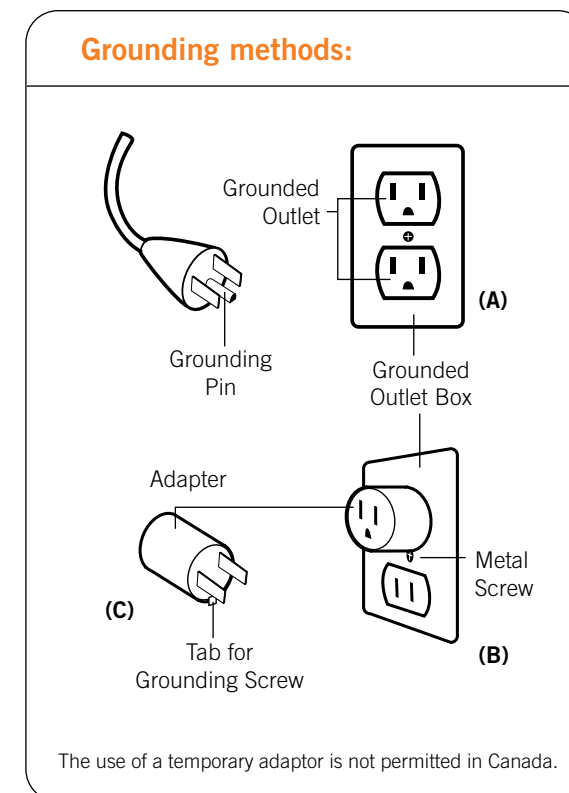
This product must be grounded. If it should malfunction or breakdown, grounding provides a path of least resistance for electrical current to reduce the risk of electric shock. This product is equipped with a cord having an equipment-grounding conductor and a grounding plug. The plug must be plugged into an appropriate outlet that is properly installed and grounded in accordance with all local codes and ordinances.



DANGER: Improper connection of the equipment-grounding conductor can result in a risk of electronic shock. Check with a qualified electrician or serviceman if you are in doubt as to whether this product is properly grounded. Do not modify the plug provided with the product – if it will not fit the outlet, have a proper outlet installed by a qualified electrician.

This product is for use on a nominal 120-volt circuit and has a grounding plug that looks like the plug illustrated in sketch (A). A temporary adapter that looks like the adapter used in sketches (B) and (C) may be used to connect this plug to a 2-pole receptacle as shown in sketch (B), if a properly grounded plug is not available. The temporary adapter should be used only until a properly grounded outlet (sketch A) can be installed by a qualified electrician. The green colored, rigid ear tab or the like extending from the adapter must be connected to a permanent ground such as a properly grounded outlet box cover. Whenever the adapter is used, it must be held in place by a metal screw.

For all grounded cord-connected products:

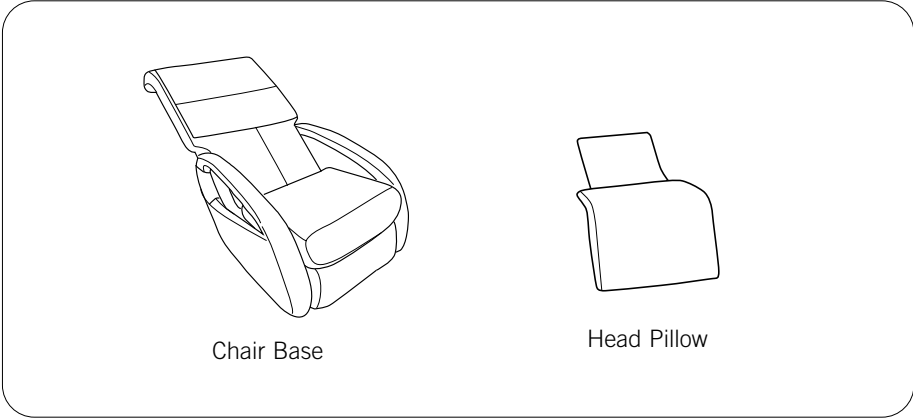



WARNING: This product is equipped with a thermal resetting protection device. This is an added safety feature to protect you and this product from overheating. If the product should suddenly stop and will not start, turn the main power switch, located on the back of the product, off and do not operate the product for at least 30 minutes. Failure to turn the product off may result in the product starting unexpectedly when the device cools.

get ready

Setting up your Human Touch massage chair is easy. Attach the foot and calf massager, connect the pads, install the tablet holder and remote, then just plug it in, power it on, and you're all set!

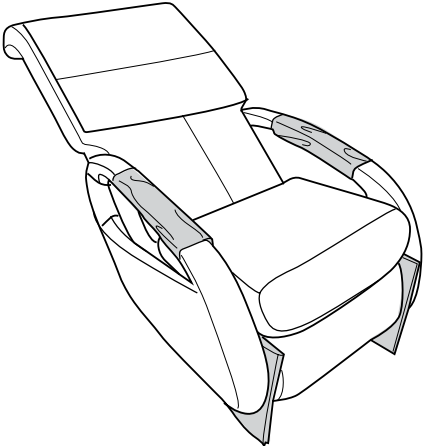
UNPACK THE BOX



 Your Human Touch massage chair may have zippers that are closed with a plastic Security Tie. Cut the Security Tie with a nail clipper or other suitable instrument. Take care to not cut the chair upholstery.

Prepare the Chair

Remove all packaging materials from the Chair (Fig.1).



Attach the Seat Cushion

Lift up the Seat Cushion to remove the packaging between the Cushion and Chair Base (Fig.2). Be careful not to remove the USB cable from the sleeve (Fig.3). Press Seat Cushion firmly into Place (Fig. 4).

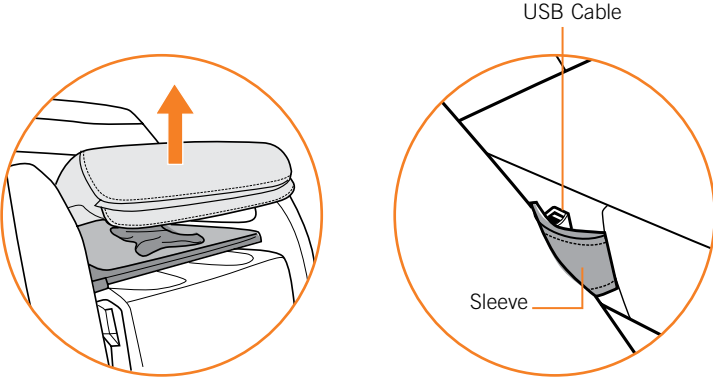


Fig.2

Fig.3



Fig.4

If the USB cable slips from the sleeve, thread the cable through the sleeve on the left-hand side of the Seat Cushion, and pull to top of Seat Cushion (Fig.5).

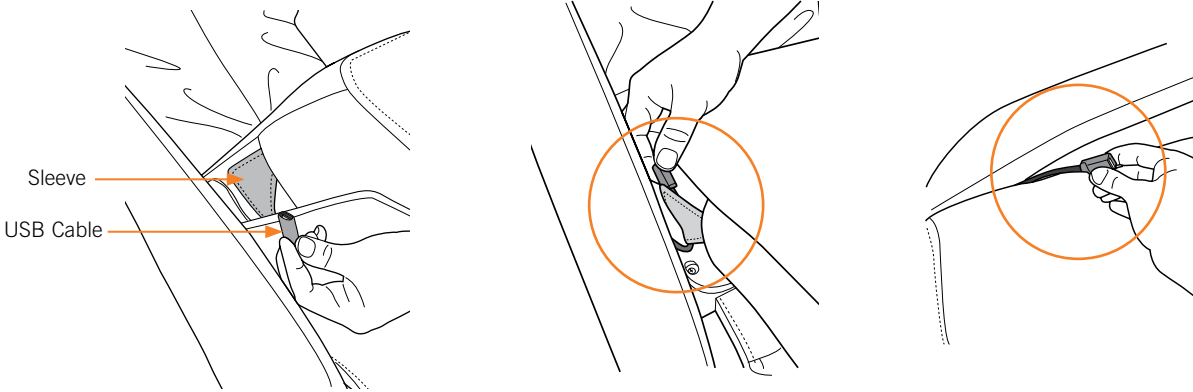


Fig.5

get ready

Attach the Head Pillow

Thread the Head Pillow flap through the strap on the top of the backrest toward the front of the chair (Fig.7), then zip the flap to the corresponding zipper on the underside of the Head Pillow (Fig.8).

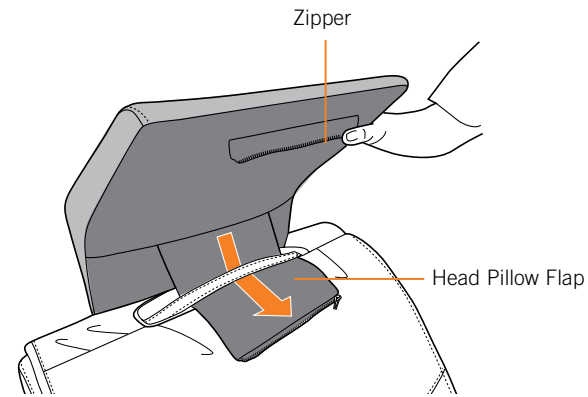


Fig.7

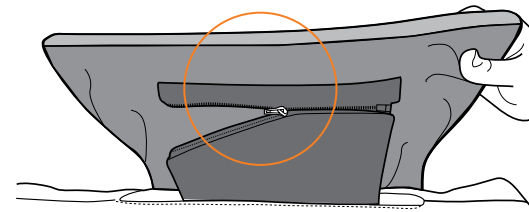


Fig.8

Power On

Plug the power cord into a grounded power source. Turn the master power switch (on the back of the chair) to On.

Use the **back** button on the remote to bring the chair upright (Fig.9).

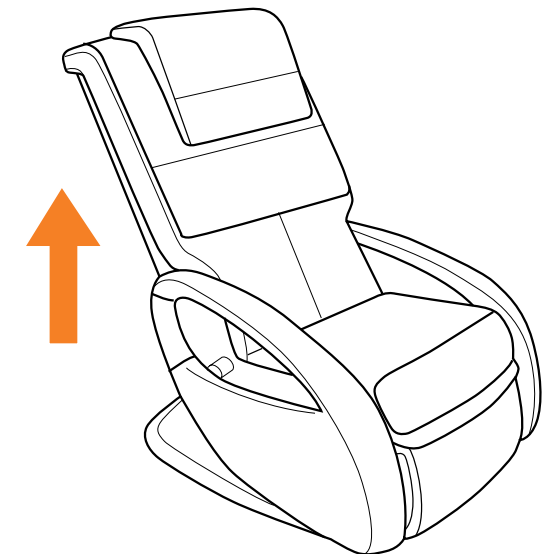
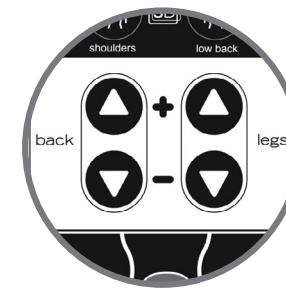
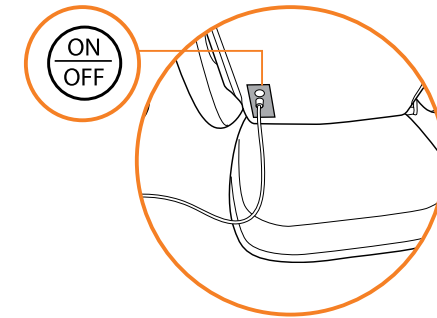


Fig.9

take a seat

Recline the Backrest and Raise the Leg Rest

Use the **back** and **legs** buttons to position the chair for maximum comfort (Fig.10).

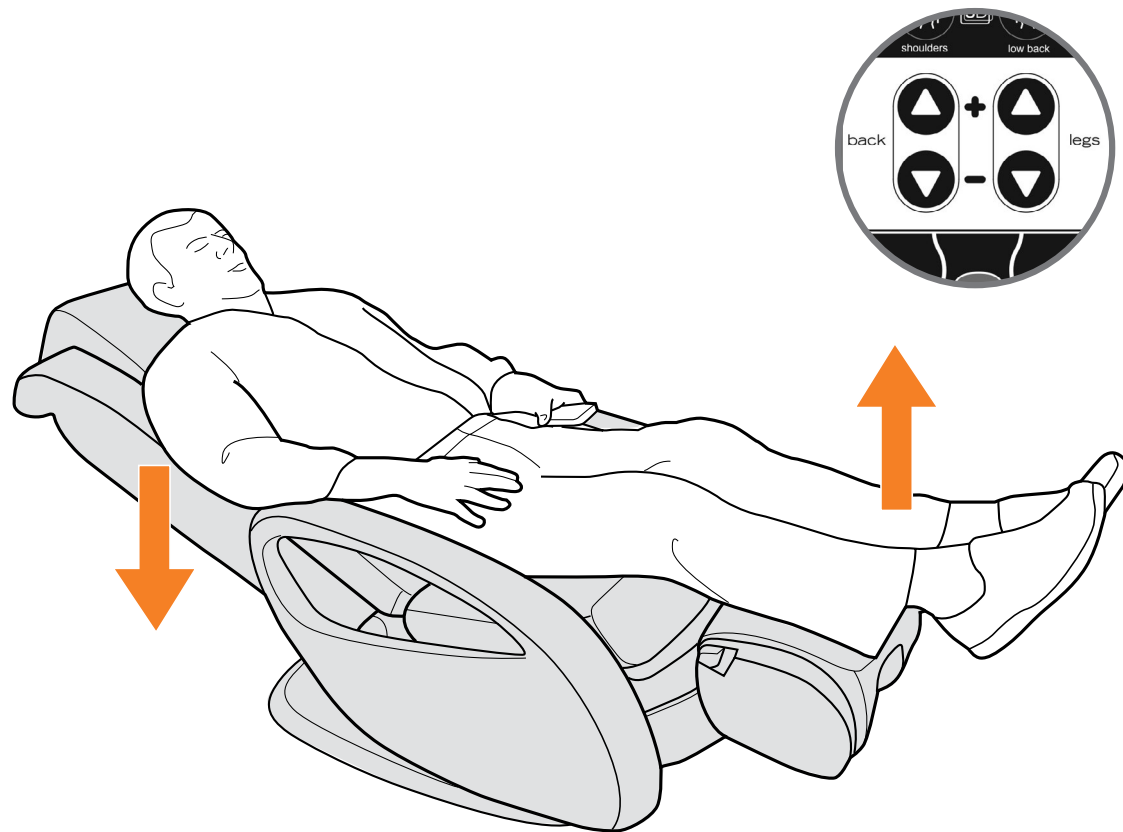


Fig.10



IMPORTANT: Do not inhibit the backrest or foot rest from reclining or inclining or attempt to manually recline or incline the backrest or foot rest. Interfering with the recline or incline could permanently damage the chair.

Using your Human Touch massage chair is easy. Just take a seat and recline to the desired position. Your Human Touch massage chair helps you feel better, using a wide variety of massage techniques that you control. It's the perfect way to relax and refresh.

FOR A FOOT OR CALF MASSAGE

Deploy the Foot and Calf Massager

Pull the foot rest release handle, on the right-hand side of the foot rest, toward you (Fig.11).

Calf Massage

Rotate the foot rest away from the chair until it clicks into position with the foot and calf wells facing up (Fig.11).



IMPORTANT: Do not force the rotation of the foot rest past the point where it clicks to lock. Excess force may damage the mechanism.

Foot Massage

Rotate the foot rest away from the chair until the foot and calf wells are facing up (Fig.11).

NOTE: Do not rotate the foot and calf massager so far that it clicks into position. The foot rest should be moving freely for a foot massage.

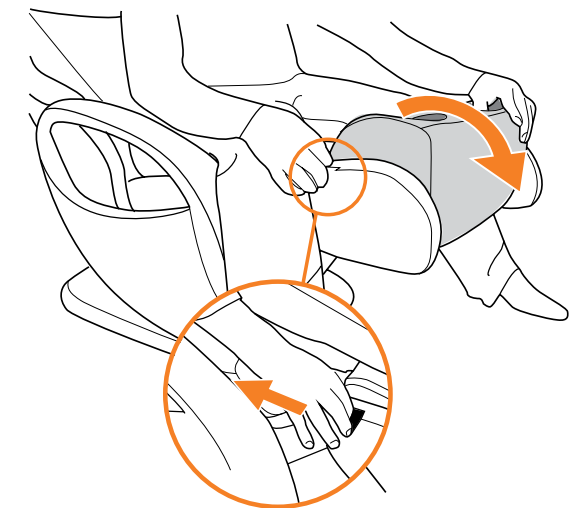


Fig.11

Insert Your Feet or Calves



IMPORTANT: Do not sit or stand on the the foot and calf massager.

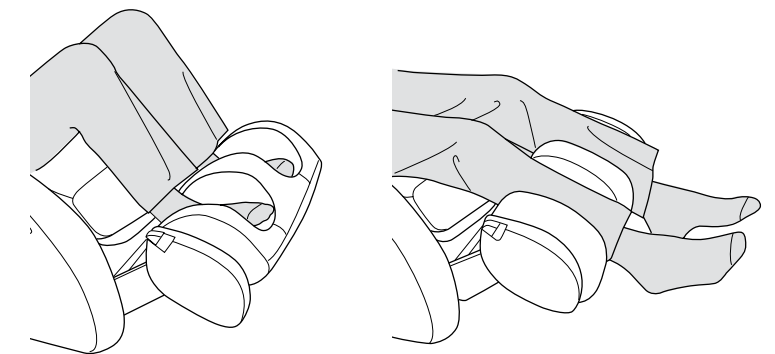


Fig.12

want a stronger massage?

The WholeBody® 8.0 comes with a pre-installed massage-softening pad that reduces the massage intensity. You also have the option to install the Headrest Pad from Page 6.

For a stronger massage, remove the softening pad and/or the Headrest Pad.

Remove Headrest Pad

1. Remove the Head Pillow (Fig.13).
2. Unzip the Headrest Pad from the back of the backrest (Fig.14).
3. Reinstall the Head Pillow.

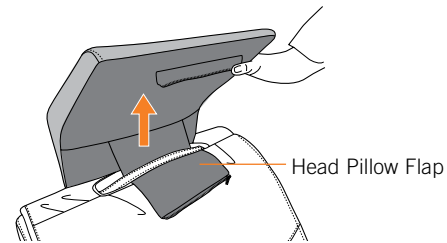
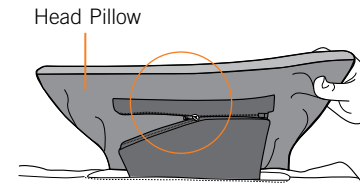


Fig.13

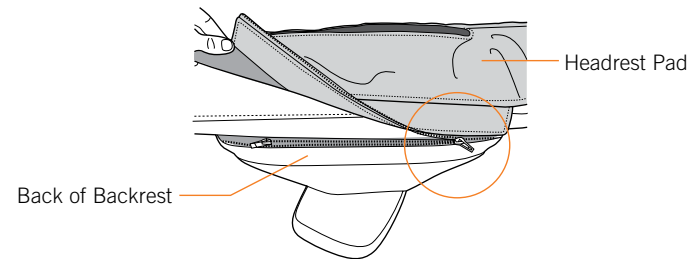


Fig.14

Remove The Softening Pad

1. Remove the Head Pillow.
2. If installed, flip the Headrest Pad over the back of the chair.
3. Unzip the backrest zipper from the rear of the chair and pull backrest pad away from chair back (Fig.15).
4. Locate the massage-softening pad pocket on the back of the backrest pad and open to detach the hook-and-loop fasteners (Fig.16).
5. Remove the softening pad and reattach the hook-and-loop fasteners to close the pocket (Fig.16).
6. Zip the backrest pad to the top of the backrest.
7. If using, flip the Headrest Pad back to the front of the chair.
8. Reinstall the Head Pillow.

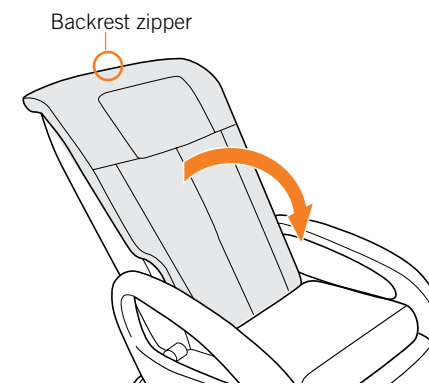


Fig.15

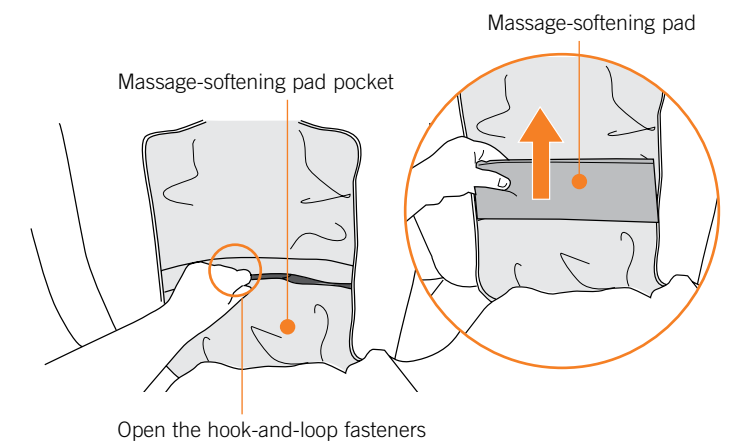


Fig.16

Adjust the Head Pillow

NOTE: When enjoying a massage, flip the head pillow over the backrest to increase neck and shoulder massage intensity (Fig.17).

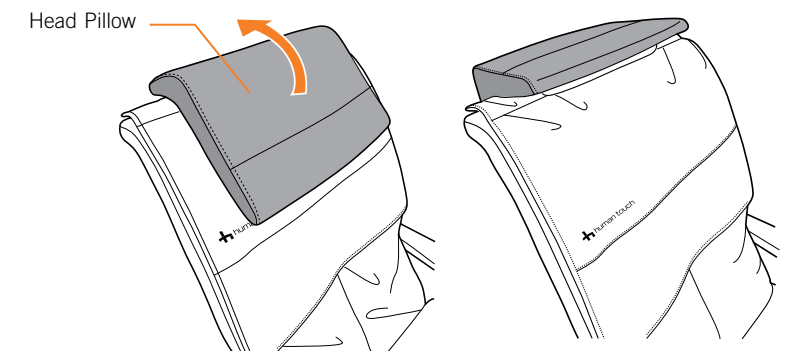


Fig.17

take control

Now choose a massage technique. Your Human Touch massage chair lets you customize your massage to achieve a wide variety of targeted muscle benefits. Choose from three stationary massage techniques and a glide massage, or combine them! Use the Range button to tailor your vertical massage range, or the Position and Partial Glide features to target your massage to a specific area. Or, let the chair take control—just select one of the seven auto massage programs, which alternate massage techniques and target key areas of your back. No matter how you use it, Human Touch Technology® with FlexGlide offers maximum massage flexibility and refreshing benefits.

Restore/Park — Press and hold to stop the massage, restore the chair to the upright position with the footrest lowered, and park the massage rollers at the top of the backrest.

Width — Adjusts the massage width as desired. This feature works with Flex and Glide massage targeted benefits.

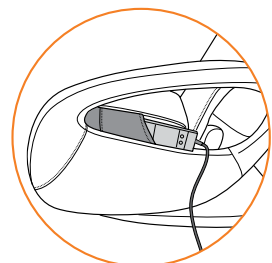
Position — Press and hold to position any stationary massage technique just where you need it. You can press this button before or after selecting the massage technique.

Targeted Benefits — Toggles among three stationary massage techniques, each designed to provide unique muscle benefits. Use with the Glide function for a partial- or full-back massage. (See table on the next page).

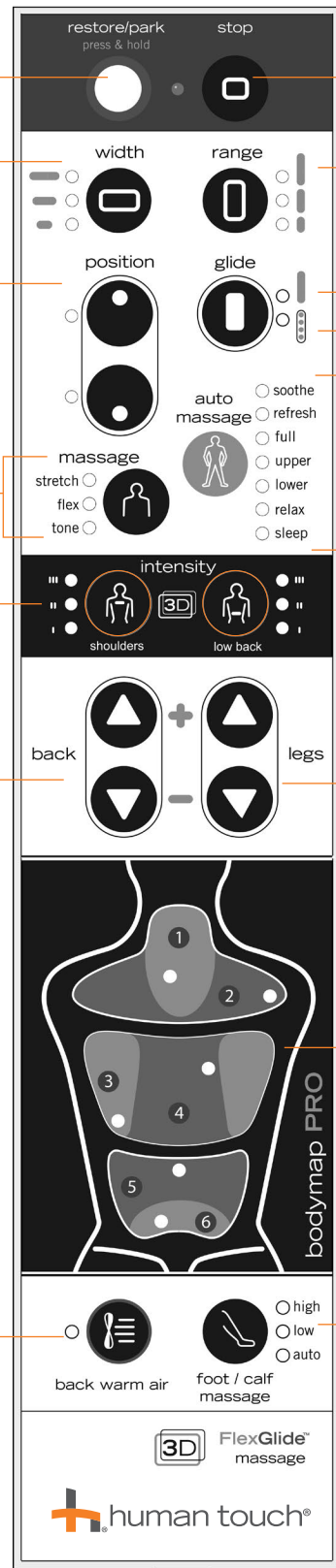
Intensity 3D — Sets the upper and lower back 3D massage intensity independently to soft (I), medium (II), or intense (III).

Power Recline — Press and hold to recline/incline backrest.

Back Warm Air — Activates the warm air lumbar heat. **NOTE:** After deactivating the heat, the LED turns off but the fan continues to run to cool down the heater. This is normal.



When you're not using the remote, store it in the convenient remote sleeve located on the left-hand side of the chair, so it's out of the way.



Stop — Stops the massage.

Range — Customizes your vertical massage range.

Full
Partial

Auto Massage Programs — Seven unique programs each use a variety of massage techniques and are automatically set for an ideal 15-minutes. The corresponding LED lights to indicate which massage technique is currently in use.

Power Footrest Deploy — Controls the footrest angle for recline comfort and massage.

BodyMap PRO

Foot/Calf — Toggles through two fixed speeds and an auto massage program.

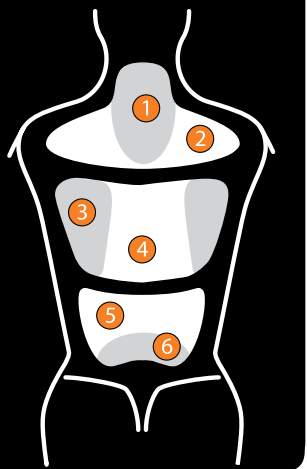
Understanding Targeted Benefits

Targeted Benefit	What It Does	Benefits
Stretch	Kneads your back in a small, circular motion on both sides of your spine simultaneously.	Relieves tension and soreness by lifting and stretching muscles. Improves circulation and helps bring vital nutrients to the spinal area.
Flex	Alternates rapid-tapping strokes along the spine to stimulate both spinal muscles and spinal joint areas, emulating the percussive massage technique used in sports medicine for deep muscle therapy.	Flexes spinal joints and relieves pressure on the spinal column, invigorating the entire back area.
Tone	Combines circular kneading motion with rapid-tapping percussion strokes.	Relieves muscle tension and spinal pressure, improves circulation and invigorates the back, all at once.
Glide	Rolls gently up and down your back near your spine.	Warms and loosens your muscles, preparing your back for deeper massage. Relieves muscle tension, improves circulation and relaxes the back.

Experience the innovation and simplicity of BodyMap PRO®

When you're experiencing muscle and joint discomfort, you want relief – now. Human Touch BodyMap PRO delivers. Simply press where you want to feel better and immediately receive an effective, therapeutic massage experience. The Human Touch FlexGlide® massage engine is automatically tuned to just the right intensity to relieve your toughest aches and pains. Each zone runs an individual seven-minute session.

- 1 Relieve those tight stresses at your neck (remove head pillow).
- 2 Been sitting at your desk all day? Spread stress relief between your shoulders.
- 3 Auto focus on those knots below your shoulder blades.
- 4 Get generous relief for the muscles in the middle of your back.
- 5 Been standing all day? Get big relief in your lower back all the way out to your sides.
- 6 Focus-in, close to the spine, on those aches and pains in your lower back.



FlexGlide® Human Touch Orbital Massage Technology.



Soothing, sensitive and oh so luxurious, our FlexGlide massage solution delivers a stress-reducing experience like never before. Free from the pinching and friction associated with typical massage chairs, every contour of your body is therapeutically touched by the unparalleled flexibility and seamless glide of our patented FlexGlide orbital technology. Much like a massage therapist upgrading you from a dry to a warm oil massage, the FlexGlide experience will have you basking in the glow of ultimate relaxation.

care and maintenance

To keep your product working and looking its best, please follow these simple care guidelines.

WARNING:

1. Be sure to disconnect the power cord from the electrical outlet before cleaning.
2. When cleaning the remote control or power switch, use a dry cloth only. Never use a damp cloth to clean any electrical component.

CAUTION:

1. Be sure to test any cleaning solution on a small, inconspicuous part of the product to ensure that the color does not fade prior to using the solution on the entire product surface.
2. Do not use benzene, thinner or any other solvents on your product.

Cleaning Code Standard for SofHyde or Cloth: W

To maintain your Human Touch product in optimum condition, dust it frequently and/or vacuum it with a soft brush vacuum extension. If your product becomes dirty, use a water-based upholstery cleaner only. To treat stains, spot clean with an upholstery shampoo or a mild detergent foam. To clean the foot/calf massage well inserts, remove the inserts from the chair, hand-wash with a mild detergent, then line dry.

Maintenance and Repair:

1. The mechanics of this product are specially designed and constructed to be maintenance free. No periodic lubrication or servicing is required.
2. Your chair should only be serviced by a Human Touch-authorized service representative.

Use and Storage Environment:

1. Do not place the chair in direct or reflected sunlight, as ultraviolet rays will quickly fade the upholstery color and cause the SofHyde upholstery to rapidly deteriorate.
2. Operate your chair in a room temperature between 41 and 104 degrees Fahrenheit (5 to 40 degrees Celsius) with humidity levels of 10% to 70% (non-condensing) to avoid damage.
3. To prevent damage to the upholstery, before sitting in your chair make sure there are no sharp objects in your pockets and no metal buttons or zippers that can come in contact with the chair.
4. Do not place the chair where excessive dust and pet hair can migrate into the chair's electrical and mechanical components; this can cause malfunction over time.
5. When not in use for a long period of time, we recommend that the chair be covered, the power cord be coiled, and that the unit be placed in an environment free of dust and moisture.
6. Store your chair in a room temperature between 5 and 122 degrees Fahrenheit (-15 to 50 degrees Celsius) with humidity levels of 10% to 70% (non-condensing) to avoid damage; product stored in cold temperatures may require 48 hours at room temperature to function properly.
7. Do not store near open heat or flame.

having trouble?

Your WholeBody® 8.0 massage chair is a sophisticated combination of mechanics, electronics, and software working together to give you the ultimate massage. With such complexity comes opportunity for what we like to call massage chair “confusion.” So, should your massage chair exhibit any abnormal behavior, please do the following to fully reset the chair:

1. Press the **STOP** button on the handheld remote.
2. Turn the chair's power switch on the rear of the chair to Off.
3. Unplug the chair from the power source.
4. Wait 30 seconds.
5. Plug the chair back into the power source, then turn the power switch back On.

If your chair has no power:

1. **Check the power cord** - Make sure the power cord connection to the chair is secure and that the power cord is not damaged.
2. **Check the wall outlet** - Plug a known working device into the outlet to ensure the outlet is working.

If the issue remains, please do the following before contacting our customer experience team (this will help us help you much more quickly):

1. Locate the serial number on label on the back of your chair and write it down.
2. Locate your proof of purchase, as we will need it to process any warranty claim.
3. Now you're ready to contact us!

Having Trouble? Contact our Customer Experience team at **800-355-2762**,
Monday – Thursday 7 AM to 4:30 PM PST, Friday 7 AM to 3:30 PM
or **csadmin@humantouch.com**

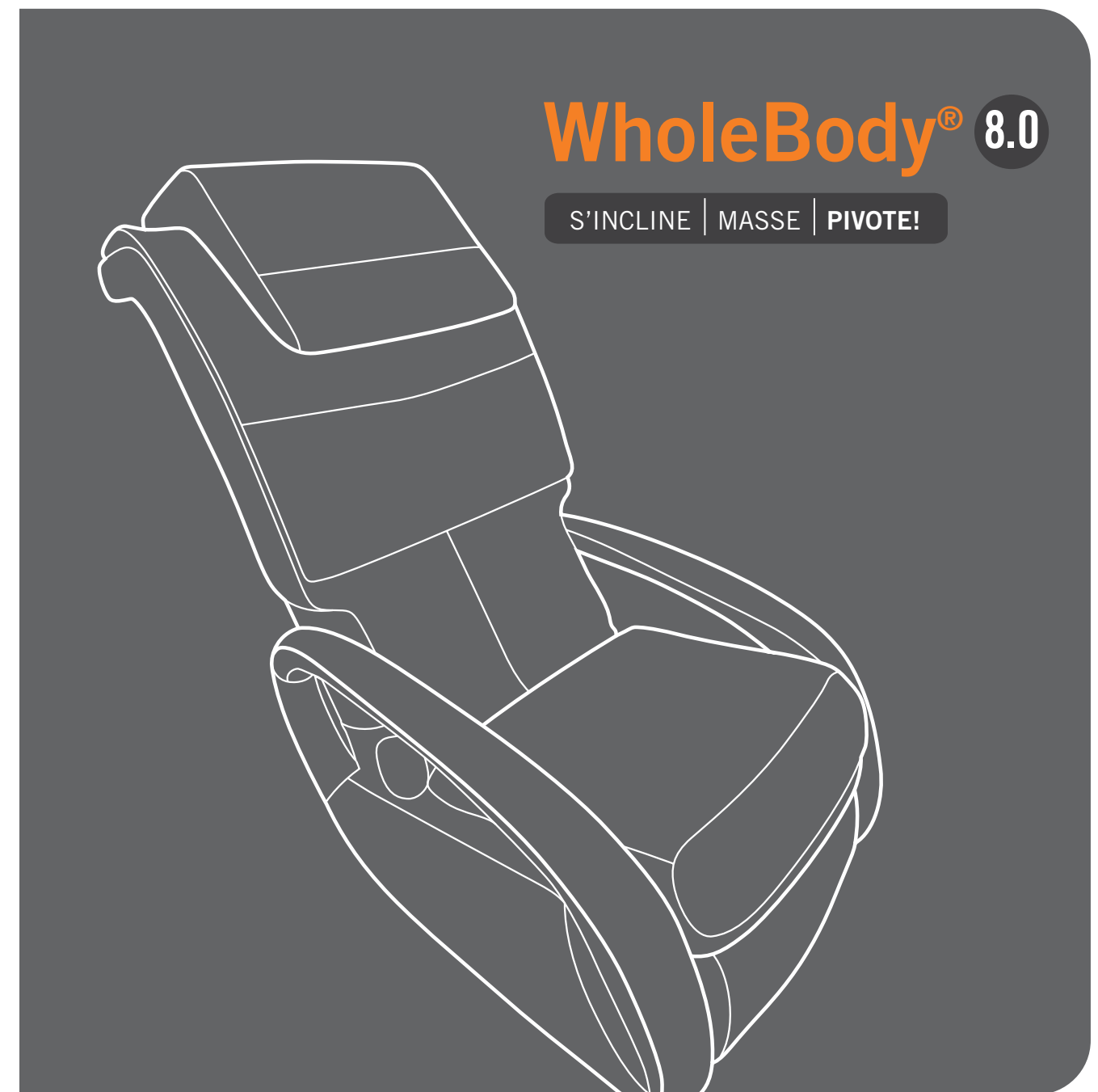
Specifications*

Operating Voltage:	AC110-120V 60 Hz
Power Consumption:	150 Watts
Chair Size:	48" L x 28" W x 44" H (upright) 66" L x 28" W x 36" H (reclined)
Product Weight:	114 lb
Required Recline Clearance:	9"
Maximum Load Weight:	285 lb

*Specifications are subject to change without prior notice.



humantouch.com
800.355.2762



WholeBody® 8.0

S'INCLINE | MASSE | PIVOTE!



Fauteuil de massage Human Touch^{MD}
mode d'emploi et d'entretien

FRANÇAIS

Enregistrez votre produit **EN LIGNE** dès maintenant

www.humantouch.com/register

Enregistrez votre produit **EN LIGNE** dès maintenant

www.humantouch.com/register



Grâce à une expérience de plus de quatre décennies, Human Touch s'est établi comme un chef de file de l'industrie en changeant la vie de ses clients grâce à des produits et services qui les aident à se sentir mieux, à performer davantage et à être à leur meilleur. Élaborés en collaboration avec des experts du domaine médical et de l'industrie, nous offrons des produits qui allient une technologie brevetée, le savoir-faire et une ergonomie intelligente avec une conception supérieure : le soulagement thérapeutique pour tous.

Nos fauteuils de massage, nos fauteuils inclinables PerfectChair^{MD} et notre gamme de solutions innovantes possèdent tous les mêmes attributs en matière de convivialité, de souci de la performance et de la qualité, en plus d'une conception qui s'adapte à la plupart des modes de vie. Ces qualités sont très appréciées de nos clients et nous méritent de nombreuses reconnaissances et de nombreux prix dans l'industrie. Ainsi, Human Touch permet aux gens de vivre en meilleure santé, avec plus de vitalité, que ce soit au niveau professionnel ou personnel, au quotidien. Alors que de plus en plus de gens prennent conscience des bienfaits du mieux-être, Human Touch élargit son leadership de marque et offre des solutions dont tous peuvent profiter.

humantouch.com



Enregistrez votre produit à www.humantouch.com pour que votre produit figure dans notre système, ce qui simplifiera le processus de la garantie, si jamais vous en aviez besoin.

WholeBody[®] 8.0

S'INCLINE | MASSE | PIVOTE!

Bienvenue à [human touch](http://humantouch.com)[®]

Les bénéfices d'un massage quotidien changeront votre vie, car vous préserverez la santé de votre esprit et de votre corps.

Exposez chaque muscle de votre dos, votre cou et vos épaules à la détente grâce au fauteuil de massage Human Touch WholeBody[®] 8.0. Permettez à la technologie de massage orbital FlexGlide[®] 3D de vous offrir un confort apaisant incluant un glissement fluide. La technologie à air chaud fournit un apaisement supplémentaire de la tension musculaire et la télécommande révolutionnaire BodyMap PRO[®] permet de déterminer simplement et avec précision l'endroit exact où vous souhaitez vous sentir mieux.

Profitez d'un choix impressionnant de fonctionnalités regroupées dans un design moderne. Grâce à sa base pivotante unique et ses remarquables éléments décoratifs en bois, ce fauteuil de massage extraordinaire est idéal pour votre espace de vie. Le WholeBody 8.0 constitue la manière parfaite de se revitaliser et de récupérer, vous vous sentirez ainsi à votre meilleur au quotidien.

Afin de bénéficier du plein potentiel de toutes les caractéristiques de votre fauteuil, et afin de vous assurer que vous en faites un usage sécuritaire, lisez ce guide attentivement. Cela fait, assoyez-vous, détendez-vous, et profitez du voyage!

humantouch.com

consignes de sécurité

CONSIGNES DE SÉCURITÉ IMPORTANTES

Lorsque vous utilisez un appareil électrique, vous devez toujours suivre les précautions de base suivantes :

Lisez toutes les instructions avant d'utiliser cet appareil.



DANGER: Afin de réduire les risques d'électrocution :

Débranchez toujours cet appareil de l'alimentation électrique dès que vous avez fini de l'employer et avant de le nettoyer.



MISE EN GARDE : Afin de réduire les risques de brûlure, d'incendie, d'électrocution ou de blessure :

- Tenez vos mains et vos doigts éloignés du mécanisme de massage et des rouleaux lorsqu'ils sont en marche. Si vous touchez au mécanisme, les rouleaux risquent de se comprimer et de vous blesser.
- Si le cordon d'alimentation est endommagé, il doit être remplacé par le fabricant, son représentant de service ou un technicien qualifié afin d'éviter tout danger.
- Un appareil ne devrait jamais être laissé sans surveillance lorsqu'il est branché. Débranchez l'appareil de l'alimentation lorsque vous ne l'employez pas et avant d'y insérer ou d'en retirer des pièces.
- Ne faites pas fonctionner cet appareil sous une couverture ou sous un oreiller. Une surchauffe pourrait survenir et causer un incendie, une électrocution ou des blessures.
- Utilisez les surfaces chauffantes avec précaution. Elles présentent un risque de brûlures graves. N'utilisez pas ce fauteuil sur des zones de peau insensibles ou en présence d'une mauvaise circulation. Ce produit peut être dangereux s'il est utilisé sans surveillance par des enfants ou des personnes handicapées.
- Une surveillance étroite est nécessaire lorsque ce produit est employé près ou par des enfants ou des personnes handicapées. Gardez les enfants à l'abri de l'appui-pied déployé (ou autres pièces semblables).
- Employez ce fauteuil à ce pour quoi il a été conçu, tel que décrit dans ce guide. Employez uniquement les accessoires recommandés par le fabricant.
- N'employez jamais ce produit si son cordon ou sa fiche d'alimentation sont endommagés, s'il ne fonctionne pas correctement, s'il a été échappé ou endommagé ou s'il a été immergé. Retournez ce fauteuil à un centre de service pour examen et réparation.
- Ne transportez pas cet appareil en tirant sur son cordon d'alimentation. N'utilisez pas le cordon d'alimentation comme une poignée.
- Éloignez toujours le cordon d'alimentation de toute source de chaleur.
- Ne faites jamais fonctionner ce fauteuil si ses trappes d'aération sont obstruées. Maintenez les trappes d'aération exemptes de peluche, de cheveux et de substances semblables.
- N'échappez ni n'insérez jamais aucun objet dans aucune ouverture.
- N'employez pas ce fauteuil à l'extérieur.
- Ne faites pas fonctionner dans un endroit où on utilise des produits à bombe aérosol (vaporisateur) ou dans un endroit où de l'oxygène est administré.
- Pour débrancher, mettez toutes les commandes à la position O (arrêt) et retirez la fiche de la prise.
- Ne massez aucune partie du corps qui soit enflée, enflammée ou présentant des éruptions.
- Ne massez pas vos jambes si vous souffrez de douleurs idiopathiques.
- N'employez pas cet appareil sur une surface humide ou lorsqu'une partie de votre corps est en contact avec une structure de plomberie ou autre structure similaire.
- Ne branchez cet appareil qu'à une prise correctement mise à la terre. Consultez les INSTRUCTIONS DE MISE À LA TERRE.
- N'employez pas ce fauteuil s'il émet un bruit plus élevé que le son normal.
- Ne vous mettez pas debout sur ou dans l'appareil. N'utilisez cet appareil qu'en position assise.

Consignes de sécurité

- Nous recommandons le port de vêtements confortables pour l'emploi de ce produit.
- Une position détendue est nécessaire afin de bénéficier des avantages de ce fauteuil. Ne mettez jamais de pression sur aucune partie de votre corps reposant sur le dossier lorsque que les rouleaux sont en mouvement.
- Si vous éprouvez un inconfort anormal lorsque vous employez ce produit, éteignez-le immédiatement et cessez son emploi. Consultez votre médecin.
- Ne vous assoyez pas sur le système de commande.
- Ne tirez pas sur le cordon d'alimentation.
- Si vous employez ce produit après une période de rangement prolongée, vérifiez son bon fonctionnement au préalable.
- Assurez-vous toujours qu'aucun obstacle ne se trouve derrière le fauteuil. Assurez-vous de disposer d'un espace suffisant pour incliner le fauteuil.

CONSERVEZ CE MODE D'EMPLOI

Ne réparez pas ce fauteuil vous-même.

Ce fauteuil est conçu pour un usage personnel au foyer. Tout usage à des fins commerciales annulera la garantie.

Consignes de mise à la terre :

Ce fauteuil doit être branché sur un circuit avec mise à la terre. En cas de mauvais fonctionnement ou de bris, la mise à la terre réduit le risque d'électrocution en permettant au courant électrique d'emprunter le chemin offrant le moins de résistance. Ce fauteuil est pourvu d'un cordon d'alimentation doté d'un conducteur et d'une fiche de mise à la terre. La fiche doit être branchée dans une prise correctement installée et mise à la terre conformément aux ordonnances et aux codes locaux.

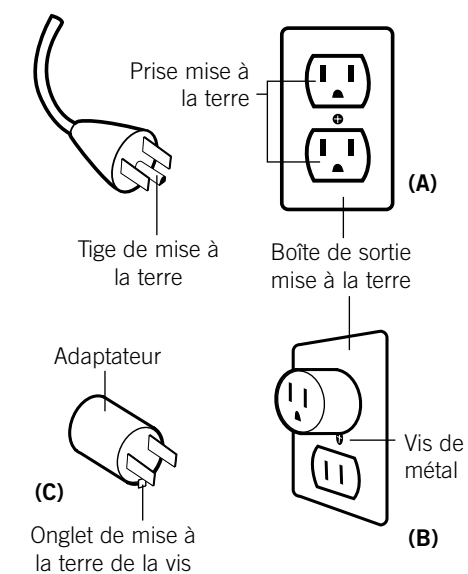


DANGER : Un branchement inadéquat du conducteur de mise à la terre entraîne un risque d'électrocution. Consultez un électricien ou un technicien qualifié si vous n'êtes pas certain que ce fauteuil soit correctement mis à la terre. Ne modifiez pas la fiche accompagnant le fauteuil – si elle ne s'insère pas dans la prise, faites installer une prise appropriée par un électricien qualifié.

Ce fauteuil convient à un circuit de courant nominal de 120 volts. Il est doté d'une fiche de mise à la terre semblable à celle illustrée sur la figure A. Au cas où une prise correctement mise à la terre ne serait pas disponible, un adaptateur temporaire, semblable à celui illustré sur les figures B et C, peut être employé pour brancher cette fiche à une prise de courant à deux trous, tel qu'illustré sur la figure B. L'adaptateur temporaire ne doit être employé que le temps qu'il faudra à faire installer une prise correctement mise à la terre (figure A) par un électricien qualifié. L'onglet rigide de couleur verte sortant de l'adaptateur doit être branché à une prise permanente, telle un couvercle de boîte de sortie correctement mise à la terre. L'adaptateur doit être retenu par une vis de métal.

Pour tous les produits dotés d'un cordon d'alimentation mis à la terre :

Méthodes de mise à la terre :



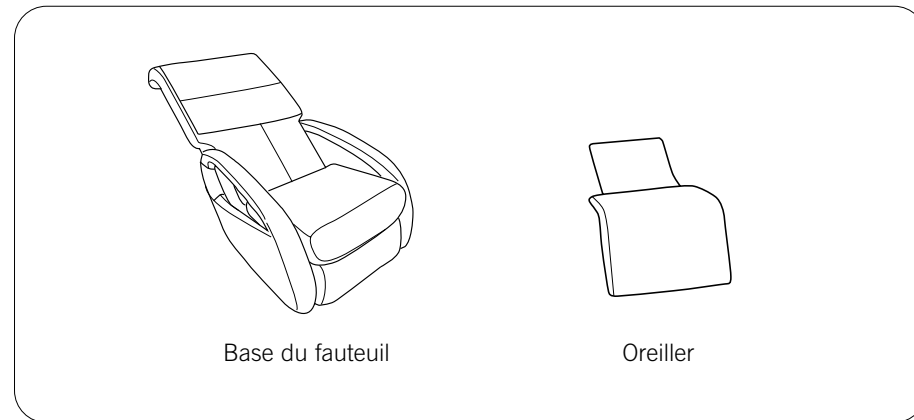
L'utilisation d'un adaptateur temporaire est interdite au Canada.



MISE EN GARDE : Ce fauteuil est doté d'un dispositif de réinitialisation thermique de protection. Il s'agit d'une caractéristique de sécurité supplémentaire installée afin de vous protéger contre la surchauffe du fauteuil. Si le fauteuil s'arrête soudainement et que vous ne pouvez le remettre en marche, mettez le bouton d'alimentation générale, situé à l'arrière du fauteuil, à la position d'arrêt. Attendez au moins 30 minutes avant de le remettre en marche. Si vous n'éteignez pas le fauteuil, il pourrait se remettre en marche inopinément une fois le dispositif refroidi.

préparez-vous

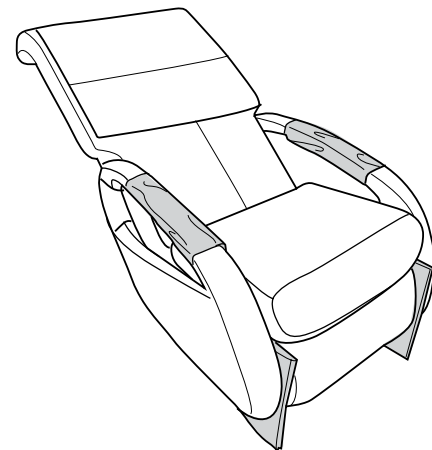
OUVERTURE DE LA BOÎTE



i Votre fauteuil de massage Human Touch est peut-être doté de fermetures éclair verrouillées à l'aide d'un crochet de sécurité en plastique. Coupez l'attache de sécurité à l'aide d'un coupe-ongles ou autre instrument approprié. Prenez soin de ne pas couper le tissu du fauteuil.

Préparez le fauteuil

Retirez tous les matériaux d'emballage du fauteuil (Fig. 1).



La préparation de votre fauteuil de massage Human Touch est facile. Fixez le coussin de siège, le coussin d'appui-tête, l'oreiller, et voilà!

Fixer le coussin de siège

Soulevez le coussin de siège pour retirer l'emballage entre le coussin et la base du fauteuil (Fig. 2). Prenez soin de ne pas retirer le câble USB de l'enveloppe (Fig. 3). Pressez le coussin de siège fermement en place (Fig. 4).

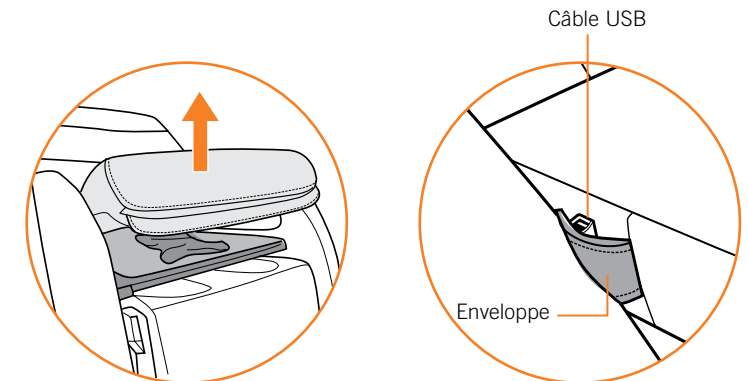


Fig.2

Fig.3

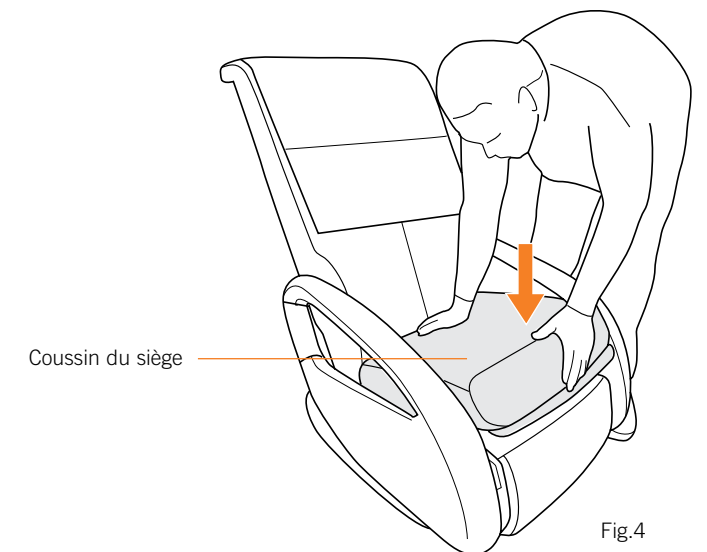


Fig.4

Si le câble USB glisse de l'enveloppe, insérez-le à travers l'enveloppe sur le côté gauche du coussin de siège et tirez le haut du coussin de siège (Fig. 5).

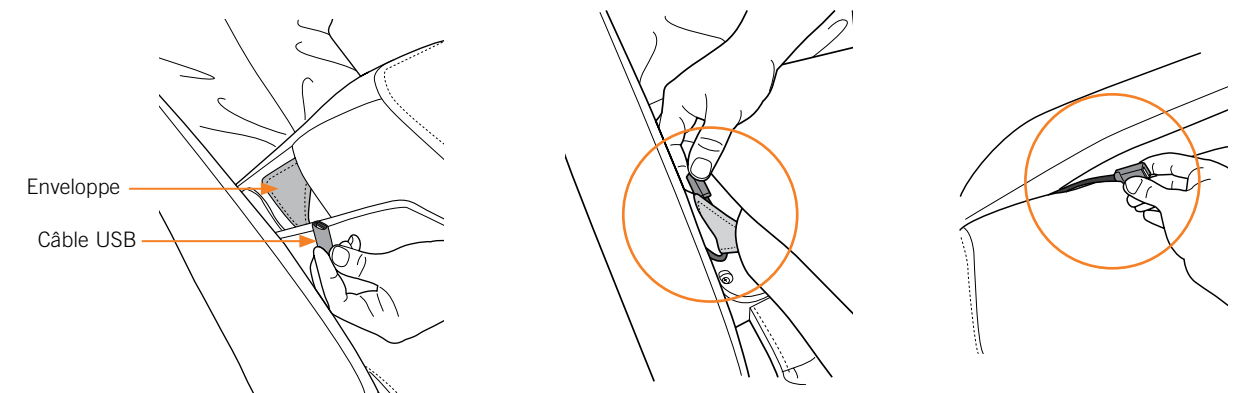


Fig.5

préparez-vous

Fixer l'oreiller

Insérez le rabat d'oreiller à travers la courroie sur le haut du dossier, vers l'avant du fauteuil (Fig. 7), puis fermez la fermeture à glissière du rabat avec la fermeture correspondante sur la face intérieure de l'oreiller (Fig. 8).

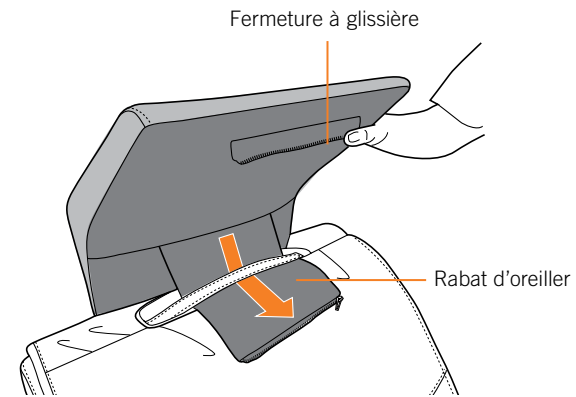


Fig.7

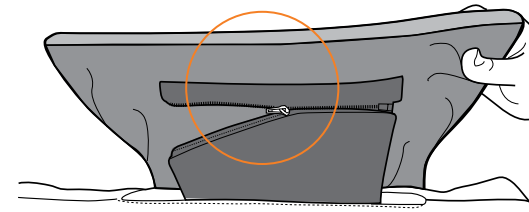


Fig.8

Mise en marche

Branchez le cordon d'alimentation à une source d'alimentation. Mettez l'interrupteur d'alimentation principal (situé à l'arrière du fauteuil) à la position On (marche).

Utilisez le bouton **back** (arrière) de la télécommande pour remettre le fauteuil en position verticale (Fig. 9).

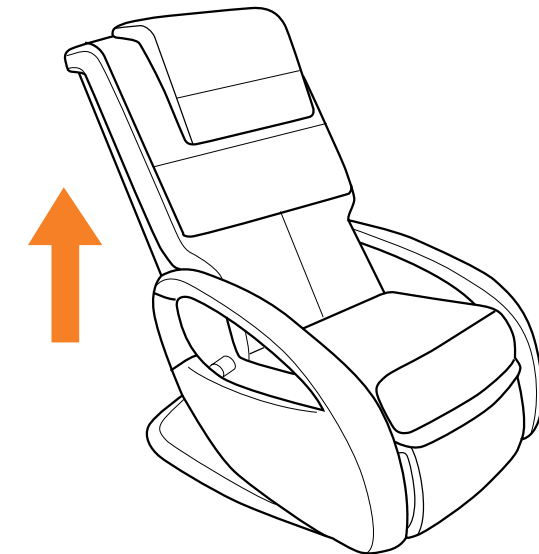
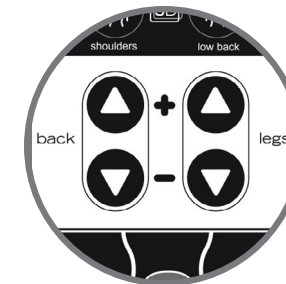
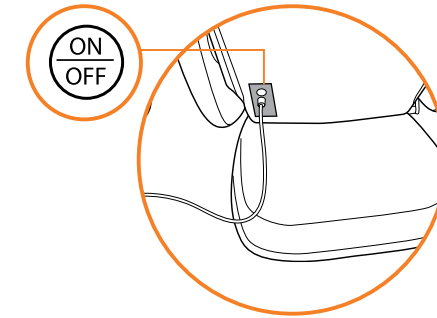


Fig.9

prenez place

Inclinez le dossier et soulevez le repose-jambes

Utilisez les boutons **back** (dos) et **legs** (jambes) pour positionner le fauteuil pour un confort maximum (Fig. 10).

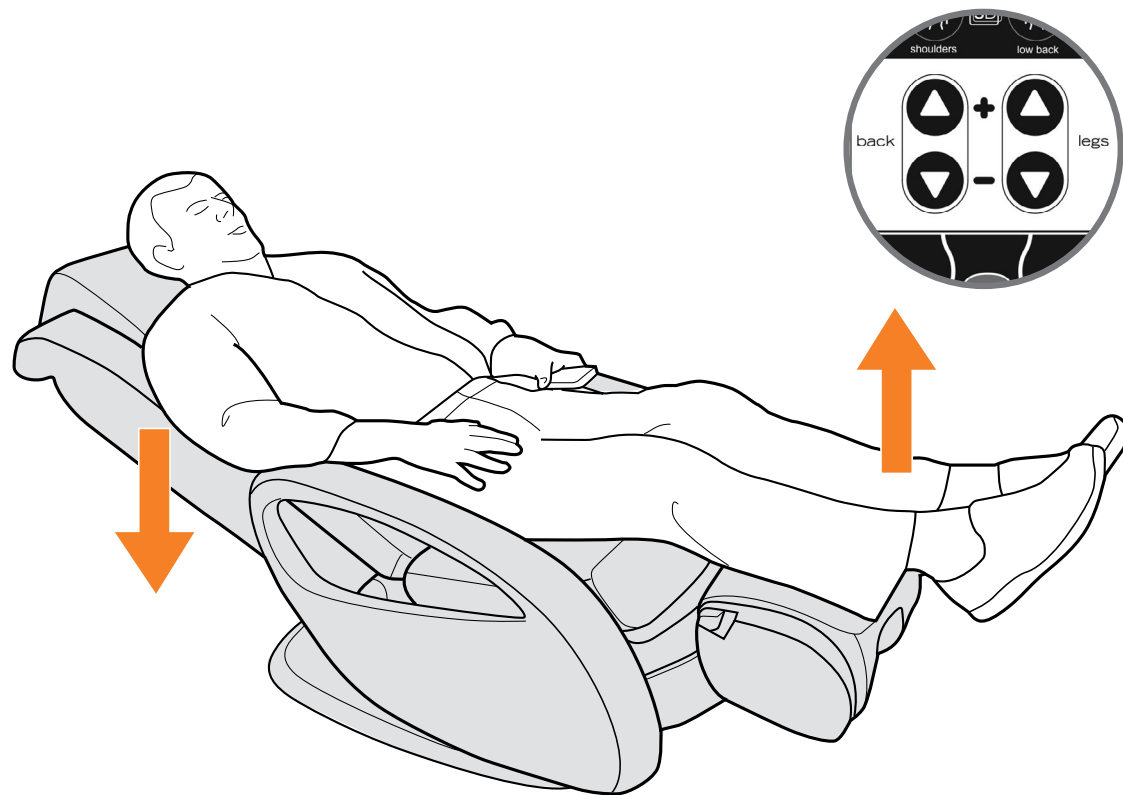


Fig.10



IMPORTANT: N'empêchez pas le dossier ou le repose-pieds de se redresser ou de s'incliner, et ne tentez pas de redresser ou d'incliner le dossier ou le repose-pieds manuellement. Si vous interférez avec le redressement ou l'inclinaison du fauteuil, cela pourrait l'endommager de façon permanente.

Votre fauteuil de massage **Human Touch** est facile d'emploi! Prenez place et ajustez l'inclinaison à l'angle désiré. Votre fauteuil de massage **Human Touch** vous fera vous sentir mieux, grâce à un vaste éventail de techniques de massage sous votre commande. C'est la façon idéale de relaxer et de se détendre.

POUR UN MASSAGE DES PIEDS OU DES JAMBES

Déployer le masseur pour les pieds et les jambes

Tirez le levier de déverrouillage du repose-pieds, du côté droit, vers vous (Fig. 11).

Massage des jambes

Faites pivoter le repose-pieds à l'écart du fauteuil jusqu'à ce qu'il clique en position avec les puits pour les jambes et les pieds faisant face vers le haut (Fig. 11).



IMPORTANT: Ne forcez pas la rotation du repose-pieds au-delà du point où il clique pour se verrouiller. Une force excessive pourrait endommager le mécanisme.

Massage des pieds

Faites pivoter le repose-pieds à l'écart du fauteuil jusqu'à ce que les puits pour les pieds et les jambes soient orientés vers le haut (Fig. 11).

REMARQUE : Ne tournez pas le masseur pour les pieds et les jambes jusqu'à ce qu'ils cliquent en position. Le repose-pieds doit pouvoir bouger librement pour un massage des pieds.

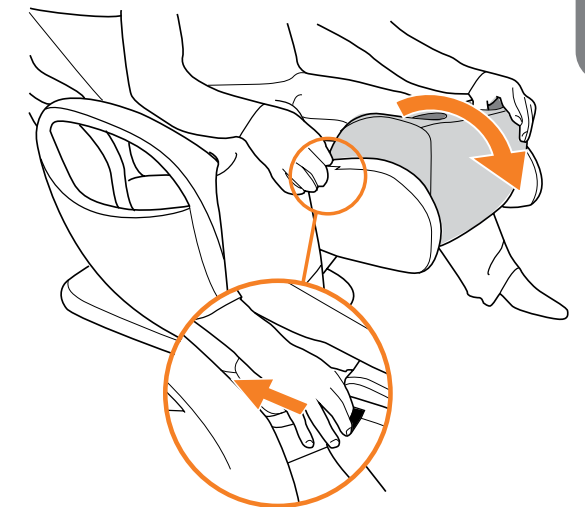


Fig.11

Insérez vos pieds ou vos jambes



IMPORTANT: Ne vous assoyez pas et ne vous tenez pas debout sur le masseur pour les pieds et les jambes.

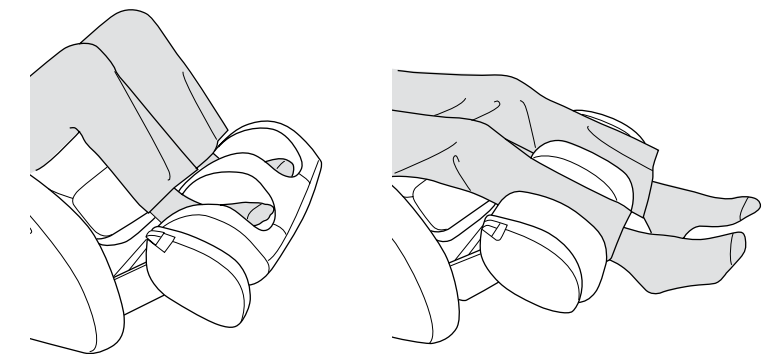


Fig.12

vous souhaitez un massage plus vigoureux?

Le WholeBody® 8.0 comprend un coussinet adoucisseur préinstallé qui réduit l'intensité du massage. Vous avez aussi la possibilité de poser le coussin d'appui-tête de la page 24.

Pour un massage plus vigoureux, retirez le coussinet adoucisseur et/ou le coussin d'appui-tête.

Retirer le coussin d'appui-tête

1. Retirez l'oreiller (Fig. 13).
2. Ouvrez la fermeture à glissière de l'arrière du dossier (Fig. 14).
3. Réinstallez l'oreiller.

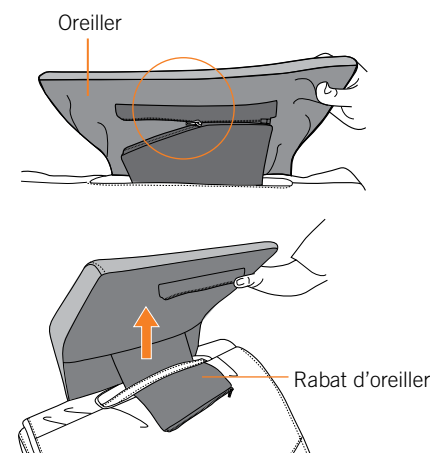


Fig.13

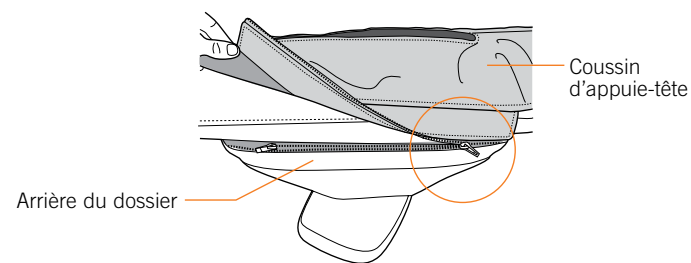


Fig.14

Retirer le coussinet adoucisseur

1. Retirez l'oreiller.
2. S'il est installé, rabattez le coussin d'appui-tête sur l'arrière du fauteuil.
3. Ouvrez la fermeture à glissière de l'arrière du fauteuil et tirez le coussin de dossier à l'écart du dossier de fauteuil (Fig. 15).
4. Repérez la poche de coussin adoucisseur sur l'arrière du coussinet de dossier et ouvrez-la pour détacher les fermetures autoagrippantes (Fig. 16).
5. Retirez le coussinet adoucisseur et rattachiez les fermetures autoagrippantes pour fermer la poche (Fig. 16).
6. Fermez les fermetures à glissière du haut du dossier.
7. Si vous l'utilisez, remplacez le coussin d'appui-tête sur l'avant du fauteuil.
8. Réinstallez l'oreiller.

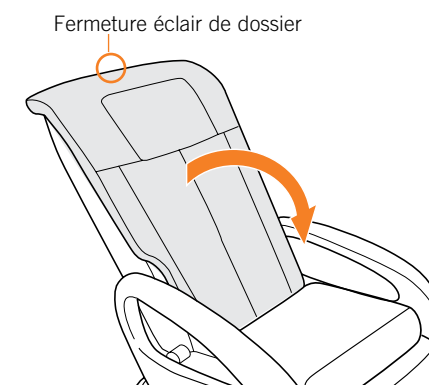


Fig.15

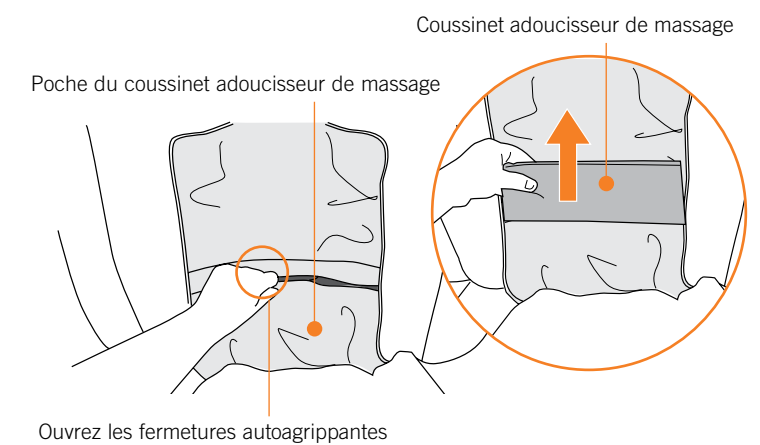


Fig.16

Ajuster l'oreiller

REMARQUE : Lorsque vous profitez d'un massage, retournez l'oreiller sur le dossier pour augmenter l'intensité du massage au niveau du cou et des épaules (Fig. 17).

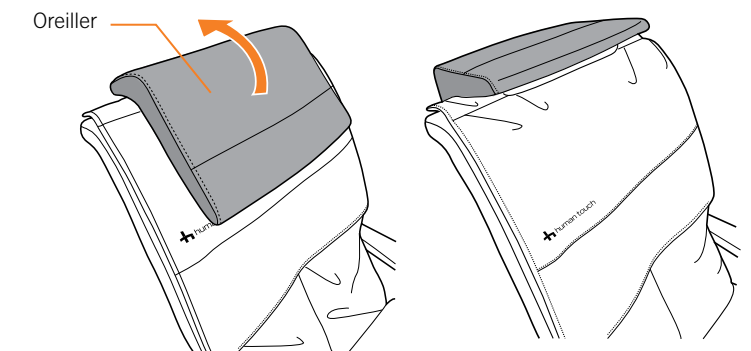


Fig.17

prenez les commandes

Restore/Park (Restaurer/immobiliser) —

Maintenez enfoncé ce bouton pour arrêter le massage, restaurer le fauteuil en position relevée avec le repose-pied abaissé et immobiliser les rouleaux de massage sur le haut du dossier.

Width (largeur) — Ajustez la largeur du massage selon votre préférence. Il est possible de combiner cette fonction avec les bénéfices ciblés des massages Flex et Glide.

Position — Maintenez ce bouton enfoncé pour positionner une technique de massage exactement là où vous en avez besoin. Vous pouvez appuyer sur cette touche avant ou après la sélection de la technique de massage.

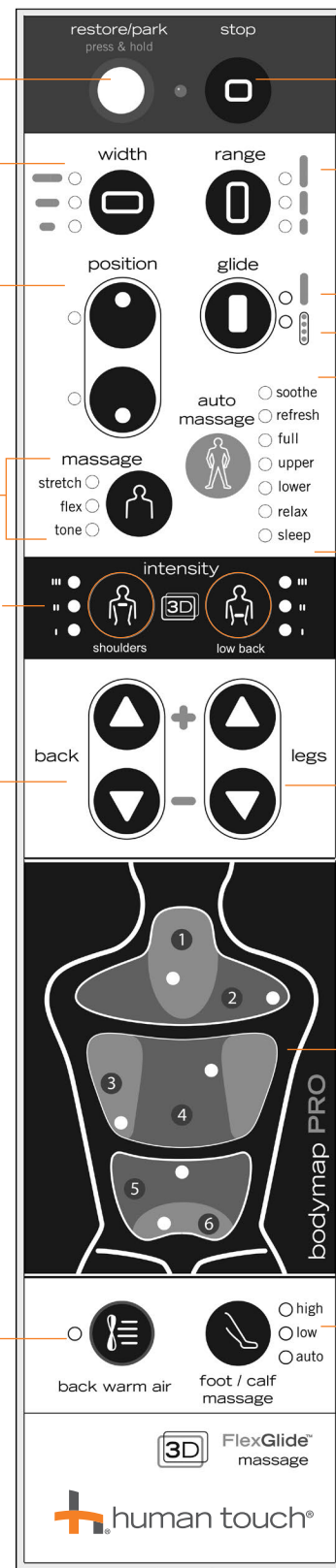
Avantages du ciblage — Permet de basculer entre chacune des trois techniques de massage fixes, lesquelles sont conçues pour offrir des bénéfices musculaires uniques. À utiliser avec la fonction Glide (glissement) pour un massage partiel ou complet du dos. (voir le tableau à la page suivante).

Intensité 3D — Permet de définir l'intensité des massages 3D du bas et du haut du dos de manière indépendante sur douce (I), moyenne (II) ou intense (III).

Inclinaison mécanique — Appuyez ici et maintenez la pression pour élever ou abaisser le dossier.

Air chaud au niveau dorsale — Active l'air chaud lombaire. **REMARQUE :** Après avoir désactivé la chaleur, la DEL s'éteint, mais le ventilateur continue à tourner pour refroidir le dispositif de chauffage. Il ne s'agit pas d'une anomalie.

Lorsque vous n'utilisez pas la télécommande, rangez-la dans la poche pour télécommande pratique située du côté gauche du fauteuil pour qu'elle n'encombre pas.



Arrêt — Stops the massage.

Portée — Personnalise la portée verticale de votre massage.

Intégral

Partiel

Programmes de massage automatique — Sept programmes uniques qui utilisent chacun une variété de techniques de massage et qui sont automatiquement définis pour une période idéale de 15 minutes. Les témoins DEL correspondants indiquent la technique de massage en cours d'utilisation.

Déployez le repose-pied électrique — Ces boutons permettent de contrôler l'angle du repose-pied pour le confort d'inclinaison et le massage.

BodyMap PRO

Jambes+pieds — Permet de basculer entre deux vitesses fixes et un programme de massage automatique

À présent, choisissez une technique de massage. Votre fauteuil Human Touch vous permet de personnaliser votre massage afin d'obtenir des bénéfices pour une vaste gamme de muscles en particulier. Faites votre choix parmi trois techniques de massage fixes et un massage par glissement, ou combinez-les! Utilisez le bouton Range (portée) pour personnaliser la portée verticale de massage, ou les fonctions Position et Partial Glide (glissement partiel) pour cibler votre massage sur une zone particulière. Sinon, laissez le fauteuil prendre le contrôle. Il vous suffit de choisir l'un des sept programmes de massage qui fait alterner les techniques de massage et les zones cibles clés de votre dos. Peu importe comment vous l'utilisez, Human Touch Technology® avec FlexGlide offre la meilleure polyvalence en matière de massage et des avantages rafraîchissants.

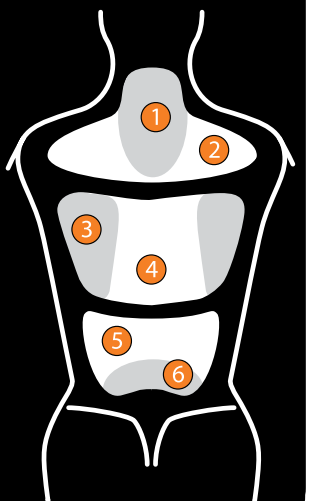
Comprendre les avantages du ciblage

Avantages du ciblage	Ce qu'il fait	Avantages
Stretch étirement	Votre dos est pétri par de petits mouvements circulaires appliqués de chaque côté de votre colonne vertébrale.	Cette technique libère des tensions et des douleurs en soulevant et en étirant les muscles. Améliore la circulation sanguine en apportant les nutriments essentiels dans la zone de votre colonne vertébrale.
Flex	Des tapotements rapides alternés le long de la colonne vertébrale stimulent les muscles et les articulations de la région lombaire. Ce massage reproduit la technique de massage à percussion employée en médecine sportive dans le cadre de thérapie musculaire en profondeur.	Assouplit les articulations de la région lombaire et libère les pressions de la colonne vertébrale, revigorant tout le dos.
Tone tonus	Combine un mouvement de pétrissage circulaire à de rapides tapotements en mode percussion.	En même temps, soulage vos muscles de leur tension et élimine la pression des articulations, améliore la circulation sanguine et revigore votre dos.
Glide (glissement)	Un roulement doux masse le long de votre dos, près de votre colonne vertébrale.	Réchauffe et relâche vos muscles, préparant votre dos pour un massage plus en profondeur. Ce massage relâche les tensions musculaires, améliore la circulation sanguine et détend le dos.

Découvrez l'innovation et la simplicité de la carte corporelle PRO

Lorsque vous souffrez d'inconfort dans les muscles et les articulations, vous voulez être soulagé... tout de suite. La carte corporelle PRO de Human Touch le fait. Appuyez simplement la partie de votre corps que vous désirez soulager et bénéficiez instantanément d'un massage thérapeutique efficace. Le moteur de massage Human Touch FlexGlide s'ajuste automatiquement à l'intensité adéquate pour soulager les courbatures et douleurs les plus tenaces. Chaque zone reçoit une séance de massage de sept minutes.

- 1 Soulagez les pressions qui tendent votre cou (retirez l'oreiller).
- 2 Vous avez passé la journée assis au bureau? Soulager le stress logé entre vos épaules.
- 3 Ciblez automatiquement les nœuds sous vos omoplates.
- 4 Soulagez pleinement les muscles du milieu de votre dos.
- 5 Vous avez passé la journée debout? Soulagez complètement le bas de votre dos, sur toute sa surface, jusque sur les côtés.
- 6 Ciblez la zone entourant votre colonne vertébrale, vers les maux et les douleurs de votre région lombaire.



FlexGlide® Technologie de massage orbital.



Réconfortante, sensible et tellement raffinée, notre nouvelle solution de massage FlexGlide® offre une expérience apaisant le stress comme jamais auparavant. Exempt du pincement et de la friction associés aux fauteuils de massage courants, tout le contour de votre corps est touché de façon thérapeutique par la flexibilité sans précédent et le glissement continu de notre technologie orbitale FlexGlide®. En peu comme un massothérapeute passant d'un massage sec à un massage chaud avec de l'huile, grâce à l'expérience FlexGlide® vous savourerez le délice de l'ultime relaxation.

soin et entretien

Afin de vous assurer que votre produit fonctionne bien et qu'il conserve une belle apparence, veuillez suivre ces consignes faciles d'entretien.

MISE EN GARDE :

1. Assurez-vous de déconnecter le cordon d'alimentation de la prise électrique avant de procéder au nettoyage. (Également indiqué sur la page sur la sécurité.)
2. Nettoyer le boîtier de commande et l'interrupteur à l'aide d'un linge sec seulement. Ne nettoyez jamais le système de commande ou le bouton d'alimentation à l'aide d'un linge humide.
3. Avant de procéder au nettoyage de toute la surface du produit à l'aide d'une solution nettoyante, veillez à en faire l'essai sur une petite portion camouflée du produit afin de vous assurer qu'elle n'entraîne pas de décoloration.
4. N'utilisez pas de benzène, de diluant ou de solvant pour nettoyer le produit.

Norme de nettoyage pour faux cuir ou chiffon : W

Pour maintenir votre produit Human Touch en état optimal, époussetez-le fréquemment ou passez-y l'aspirateur à l'aide d'une brosse douce. Seuls les nettoyeurs à l'eau pour meubles conviennent au nettoyage de ce produit. Pour traiter les taches, appliquez localement un shampoing pour meubles ou un détergent moussieux doux.

Entretien et réparation :

1. La mécanique de cet appareil a été conçue et construite afin de ne nécessiter aucun entretien. Aucune lubrification ni entretien périodique ne sont nécessaires. (texte spécifique non dicté par une réglementation)
2. Votre fauteuil doit être réparé par un représentant du service autorisé uniquement.

Environnement d'utilisation et de rangement :

1. Ne placez pas le fauteuil sous le rayonnement direct ou réfléchi du soleil, car les rayons ultraviolets terniront rapidement la couleur de la garniture et entraîneront la détérioration rapide de la garniture SoftHyde.
2. Pour éviter des dommages, utilisez votre fauteuil dans une température ambiante située entre 5 et 40 degrés Celsius (41 et 104 degrés Fahrenheit) avec une humidité relative de 10 à 70 % (sans condensation).
3. Pour éviter d'endommager la garniture, assurez-vous qu'il n'y a ni objet pointu dans vos poches ni boutons ou fermetures à glissière qui pourraient entrer en contact avec le fauteuil.
4. Ne placez pas le fauteuil là où une quantité excessive de poussière et de poils d'animaux pourraient migrer dans les composants électriques et mécaniques du fauteuil; ceci pourrait causer un dysfonctionnement avec le temps.
5. Lorsqu'il n'est pas utilisé pendant une période prolongée, nous recommandons de couvrir le fauteuil, d'enrouler le cordon d'alimentation et de placer l'unité dans un environnement exempt de poussière et d'humidité.
6. Pour éviter les dommages, entreposez votre fauteuil à une température ambiante entre -15 et 50 degrés Celsius (5 et 122 degrés Fahrenheit) avec des niveaux d'humidité de 10 à 70 % (sans condensation); un produit entreposé dans des températures froides pourrait avoir besoin de 48 heures à température ambiante pour fonctionner correctement.
7. N'entreposez pas le produit près d'un chauffage actif ou d'une flamme.

vous éprouvez des difficultés?

Votre fauteuil de massage WholeBody® 8.0 est une combinaison sophistiquée de mécanique, d'électronique et de logiciel fonctionnant de concert pour vous procurer l'ultime massage. Une telle complexité peut donner lieu à ce que nous appelons la « confusion » du fauteuil de massage. Par conséquent, si votre fauteuil de massage devait présenter tout comportement anormal, veuillez procéder comme suit pour le réinitialiser :

1. Appuyez sur le bouton **STOP** (arrêt) de la télécommande.
2. Coupez l'alimentation (Off) du fauteuil à l'arrière de celui-ci.
3. Débranchez le fauteuil de la source d'alimentation.
4. Attendez 30 secondes.
5. Rebranchez le fauteuil à la source d'alimentation, puis remettez l'interrupteur à la position On (marche).

Si votre fauteuil n'est pas sous tension :

1. **Vérifiez le cordon d'alimentation** - Assurez-vous que la connexion du cordon d'alimentation au fauteuil est bien fixée et que le cordon n'est pas endommagé.
2. **Vérifiez la prise de courant murale** - Branchez un appareil que vous savez fonctionnel dans la prise pour vous assurer que cette dernière fonctionne.

Si le problème persiste, veuillez réaliser ce qui suit avant de contacter notre équipe de l'expérience client (ceci nous aidera à vous aider beaucoup plus rapidement) :

1. Repérez le numéro de série sur l'étiquette à l'arrière du fauteuil et prenez-le en note.
2. Trouvez votre preuve d'achat, car vous en aurez besoin pour traiter toute réclamation sous garantie.
3. Vous êtes maintenant prêt à nous contacter!

Vous éprouvez des difficultés? Contactez notre équipe de l'expérience client au **800 355-2762**, du lundi au jeudi de 7 h à 16 h 30 HP, le vendredi de 7 h à 15 h 30 ou à l'adresse **csadmin@humantouch.com**

Fiche technique*

Tension de fonctionnement :	110 à 120 volts CA, 60 Hz
Consommation d'énergie :	150 watts
Taille du fauteuil	122 cm L x 71 cm W x 112 cm H (debout) 168 cm L x 71 cm W x 91 cm H (plié)
Poids du produit :	52 kg
Dégagement d'inclinaison requis :	23 cm
Poids de charge maximal :	129 kg

**La fiche technique est sujette à modifications sans préavis.*